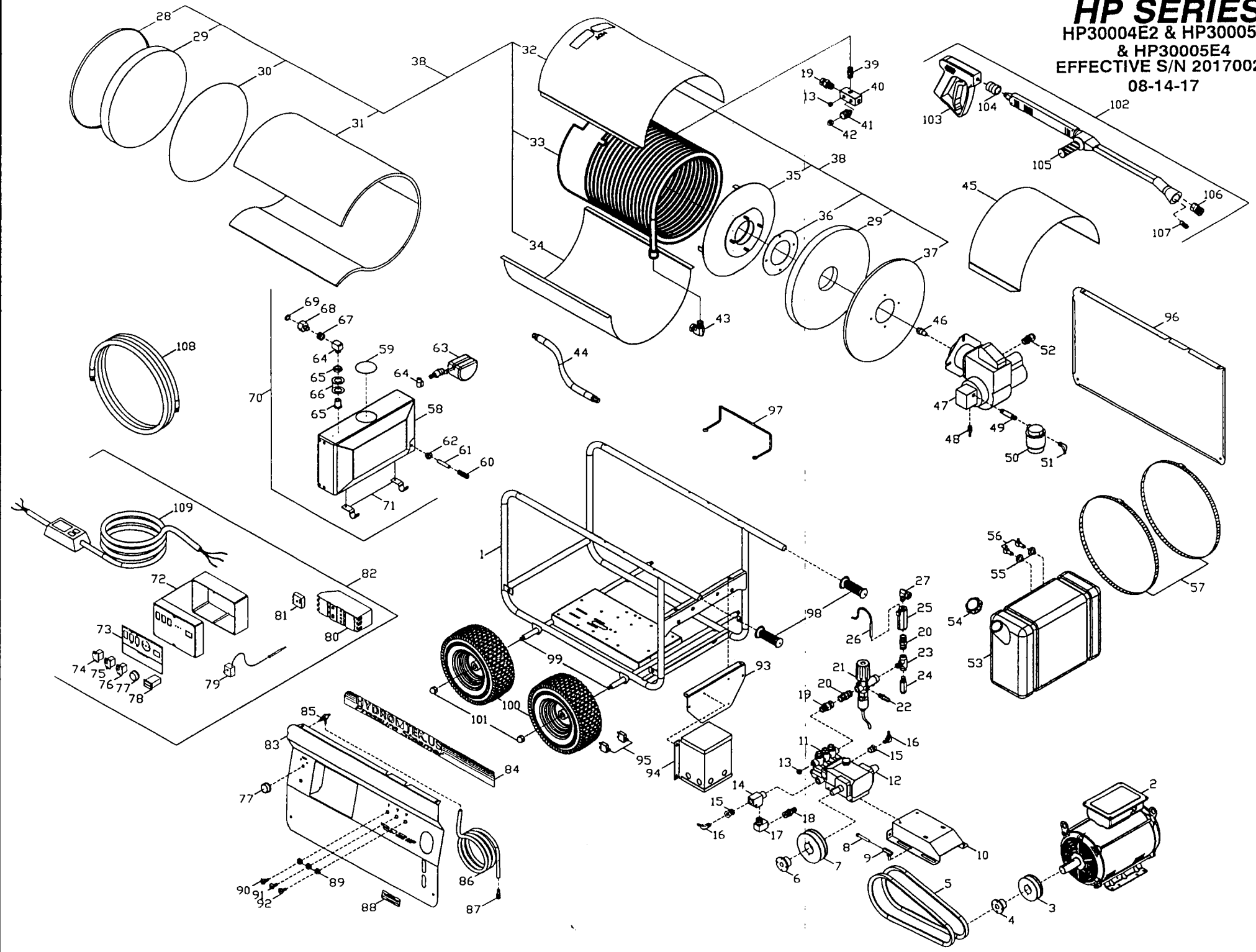


**HP SERIES**  
HP30004E2 & HP30005E3  
& HP30005E4  
EFFECTIVE S/N 2017002927  
08-14-17



# HP30004E2, HP30005E3, HP30005E4 PARTS LIST

S/N201702927

14-Aug-17

1	HHP14	FRAME HP TUBING AXLE 2007	39	DB508	NIPPLE 1/2 STEEL	79	ECH50	THERMOSTAT; 60-250F
2	ME800	MOTOR 8HP 1PH ODP 208/230 (HP30004E2)	40	HHA10	BLOCK 1.50 x 1.50 x 3.50 A108	80	EA053	STARTER 230V 3PH 16-24 AMP ( HP30005E4)
	ME903	MOTOR 10HP 1750R 200-230/460 3 (HP30005E3,HP30005E4)					EA101	STARTER 230V 1PH 8HP 47AMP (HP30004E2)
3	KU050	SHEAVE 2BK50H (HP30004E2)	41	UPB05	ADAPTER FITTING-BURST DISC***		EA103	STARTER 230V 3PH 9-45 AMP (HP30005E3)
	KU055	SHEAVE 2BK55H (HP30005E3,HP30005E4)	42	UPB80	BURST DISC 8000PSI TORQUE 32-4			
4	KSH20	BUSHING H X 1 3/8 5/16	43	DE869	SWIVEL 3/8 FS x 1/2 M STEEL 90	81	ECD22	TIME DELAY 230V ADJ 3-60 SECONDS
5	KSB35	BELT BX35 (HP30004E2)	44	DH032	HOSE 3/8 x 30IN 4000PSI NO WIP	82	EHP32	PUMP BOX ASSM-HP32004E2 (HP30004E2)
	KSB34	BELT BX34 (HP30005E3,HP30005E4)	45	HHP15	BURNER RAIN GUARD-HP 2004		EHP35	CONTROL BOX ASSM-HP35005E3 2010 MODEL (HP30005E3)
6	KSH17	BUSHING H20MM	46	BZ255	FUEL NOZZLE 2.50 80A (HP30004E2)		EHP36	CONTROL BOX ASSM-HP30005E4-2011 MODEL (HP30005E4)
7	KU057	SHEAVE 2BK57H		BZ325	FUEL NOZZLE 3.25 90B (HP30005E3,HP30005E4)	83	HHP16	CONTROL PANEL HP 2010
8	FB641	BOLT 3/8" x 2 1/2" PLD ALLTHREAD	47	BU602	BURNER; BECKET SM 230V	84	GLL75	LABEL HYDRO TEK 34 x 3
9	HPR60	PUMP RAIL BOLT	48	D8044	BARB; HOSE 1/4" BRASS* 312 t	85	VVC10	CHEMICAL MET VALVE MV-100 MOD
			49	D2043	NIPPLE PIPE, BRASS 1/4" x 2 1/2"	86	DHB04	TUBING; CLEAR BRAIDED; 1/4"
10	HHP17	PUMP RAIL HP 14GA STAINLESS	50	BF020	FUEL FILTER; RAYCOR HYDRO TEK	87	VF045	STRAINER CHEMICAL W/CHECK
11	P4535	PUMP 5CP3120 4.5 @ 3500 20MM				88	GLL20	LABEL DIESEL FUEL ONLY
12	PP692	SHAFT PROTECTOR 5 FRAME BD PMP	51	D8040	HOSE BARB 1/4" 90 ELBOW	89	HLB09	GROMET NOZZLE HOLDER***
13	D1081	PLUG 3/8" FLUSH HEAD HEX SOCKET	52	EW008	STRAIN RELIEF 1/2" HEYCO (3/8)	90	NQ452	NOZZLE/QDC 045 x 15 (HP30004E2)
14	D6588	STREET TEE 1/2" BRASS*	53	WT075	FUEL TANK 7.5 DIESEL CLEAR*		NQ552	NOZZLE/QDC 055 x 15 (HP30005E3,HP30005E4)
15	D1084	BUSHING 1/2 x 1/4 BRASS	54	WT080	FUEL CAP; DIESEL	91	NQ454	NOZZLE/QDC 045 x 40 (HP30004E2)
16	D8040	HOSE BARB 1/4" 90 ELBOW	55	DFF04	FUEL TANK BUSHING 1/4"		NQ554	NOZZLE/QDC 055 x 40 (HP30005E3,HP30005E4)
17	D5588	ELBOW; STREET; 1/2"; BRASS*	56	DFE04	FUEL TANK ELL 1/4"	92	NQ403	NOZZLE/QDC 04 x 25 (HP30004E2)
18	D8072	HOSE BARB 5/8H x 1/2M .28ID BLU (HP30004E2)	57	FC074	WORM GEAR CLAMP 2 1/2" x 13 1/4"		NQ453	NOZZLE/QDC 045 x 25 (HP30005E3,HP30005E4)
	D8076	HOSE BARB 5/8H x 1/2M .339id PNK (HP30005E3,HP30005E4)	58	WT040	TANK; FLOAT 4 GA HD LINEAR	93	HHP22	TRANSFORMER BRKT HP-14 GA. 2010 (HP30005E4)
19	DE568	SWIVEL 3/8"F x 1/2"M STEEL	59	HH400	FLOAT TANK COVER; HINGED	94	ECF08	CIRCUIT BREAKER 8 AMP 250VAC MAX (HP30005E4)
20	DB506	NIPPLE 3/8" STEEL	60	D1010	SPLICER 5/8 BRASS	95	ECT09	TRANSFORMER 460/230 750VA (HX) (HP30005E4)
						96	HHP19	REAR PANEL HP 2004
21	UU261	UNLOADER W/SWITCH	61	VF050	STRAINER TUBE FOR FLOAT TANK	97	HHP29	WIRE HOSE HOOK-ZINC PLATED
22	D8044	BARB; HOSE 1/4" BRASS* 312 t	62	DFF10	WATER TANK BUSHING 5/8"	98	HL010	HAND GRIP 1" MX*
23	DEB66	BRANCH TEE 3/8" STEEL	63	VVF08	FLOAT VALVE 3/8" BRASS	99	SR625	ROD, THREADED 5/8 ZINCE PLATED
24	UP137	PRESSURE RELIEF 3700PSI BLACK	64	D5566	STREET ELL 3/8" BRASS*	100	HT127	WHEEL&TIRE TURF 13x5.00-6 3/4 BEARING GREY
25	VS005	FLOW SWITCH 8 @ 4200 ST5	65	D7520	PANEL FITTING 3/4" BRASS	101	FNA09	NUT ACORN 5/8-11
26	VS003	REED SWITCH FOR(AP500)	66	FW701	FLOAT TANK WASHER 1.75od 14GA SS	102	AVWA3	ULTRA GUN/WAND 48" ADJ PSI
27	DE866	SWIVEL 3/8"F x 3/8"M 90	67	D0010	SPRING GARDEN H A	103	VG200	TRIGGER GUN, INSULATED 4000 PSI
28	B0029	COIL CAP (FLAT END COIL) NO HOLE	68	D006M	GARDEN H A 3/8" NPT MALE	104	ECH75	HEAVEY DUTY BEND RESTRICTOR
29	BN055	INSULATION DISC 1 1/2" TH x 18" DIA.	69	D0021	SCREEN WASHER GARDEN H A	105	VWD42	DUAL WAND, SS VENTED
30	BN125	INSULATION DISC RETAINER 17.5DIA	70	WT046	FLOAT TANK ASM WITH VALVE FILTER	106	DQ04S	COUPLER 1/4" SOCK FEM
						107	NN982	NOZZLE 40 x 25 BRASS
31	BN053	5 1/2' SECTION OF 1/2" INSULATION BLKT	71	HH310	FLOAT TANK HINGE STAINLESS STEEL	108	DH060	HOSE 3/8 x 50' 5400psi GRAY NON
32	BD013	COIL WRAP TOP	72	HHP49	ELECTRICAL BOX HP LASER CUT	109	HP240	GFCI CORD 240v 40a (HP30004E2)
33	BC484	COIL LRG-HYDROTEK	73	GLL43	LABEL CONTROL BOX HP			
34	BD014	COIL WRAP BOTTOM	74	EC450	ROCKER SWITCH MOMENT. W/ no lense			
35	BD012	INSULATION DISC RETAINER W/HOLE	75	EC421	ROCKER SWITCH 230V CLEAR SPST			
36	BM035	BECKETT GASKET/UNIVERSAL	76	EC420	ROCKER SWITCH 230V RED DPST		ABMAN	OPERATION PACKET ULTIMATE LINE
37	BD016	END CAP WITH HOLE	77	ECH70	KNOB; BLUE .25" id x 1.5" od		PP895	VALVE KIT FOR P4535 CAT PUMP SCP3120
38	BC335	COIL ASSEMBLY - HYDROTEK	78	EM603	HOUR METER 220V		PP629	SEAL KIT FOR P4535 CAT PUMP 5CP3120
						NOT SHOWN		